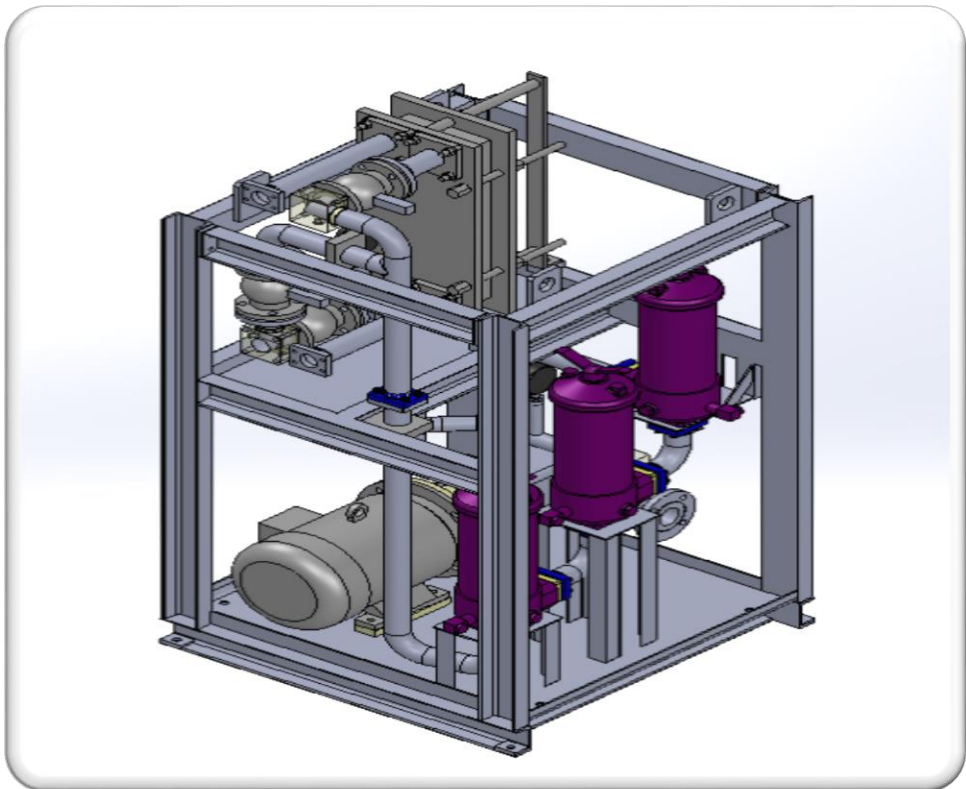
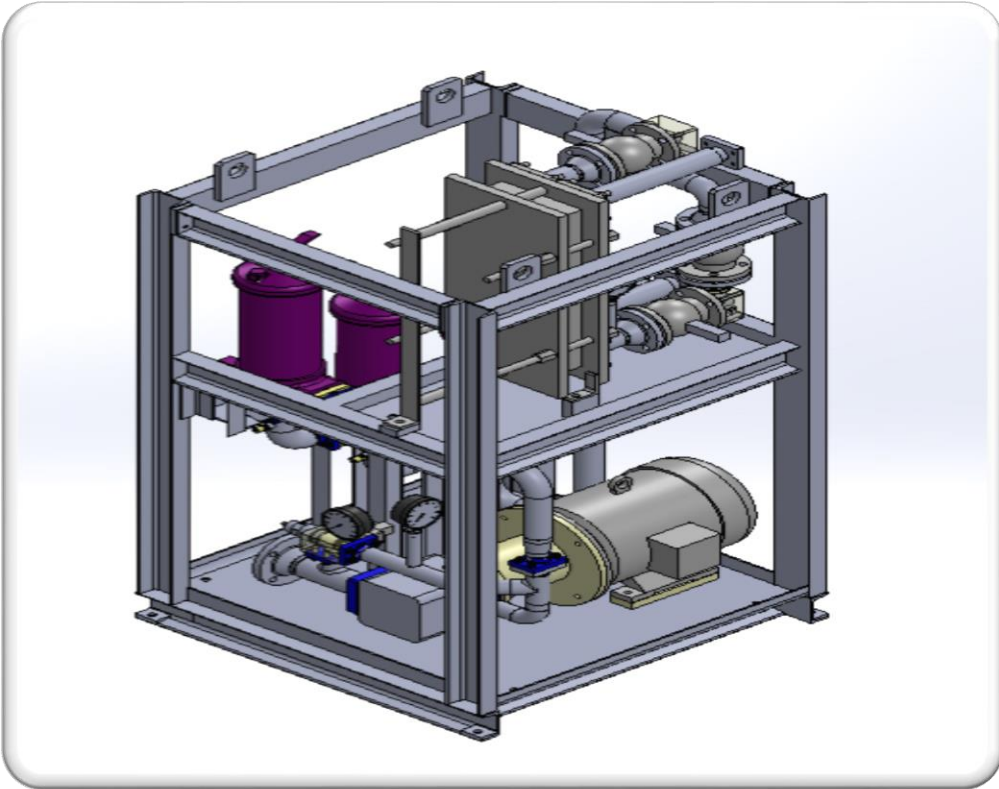


OFFLINE FLUID FILTRATION CUM CONDITIONING UNITS



OFFLINE FLUID FILTRATION CUM CONDITIONING UNITS

- System consists of Skid Weldment to comprise Pump-Motor Assembly, Control Valves, Series of Inline Filters and Plate Type Heat Exchanger etc.
- Filtration Capability 100 to 1500 Lpm, Series Filtration Efficiency 25 μ , 15 μ , 6 μ , Maximum Operating Pressure 25 bar, Fluid Conditioned Temperature 30- 40°C.
- Project cost INR 5 Millions.