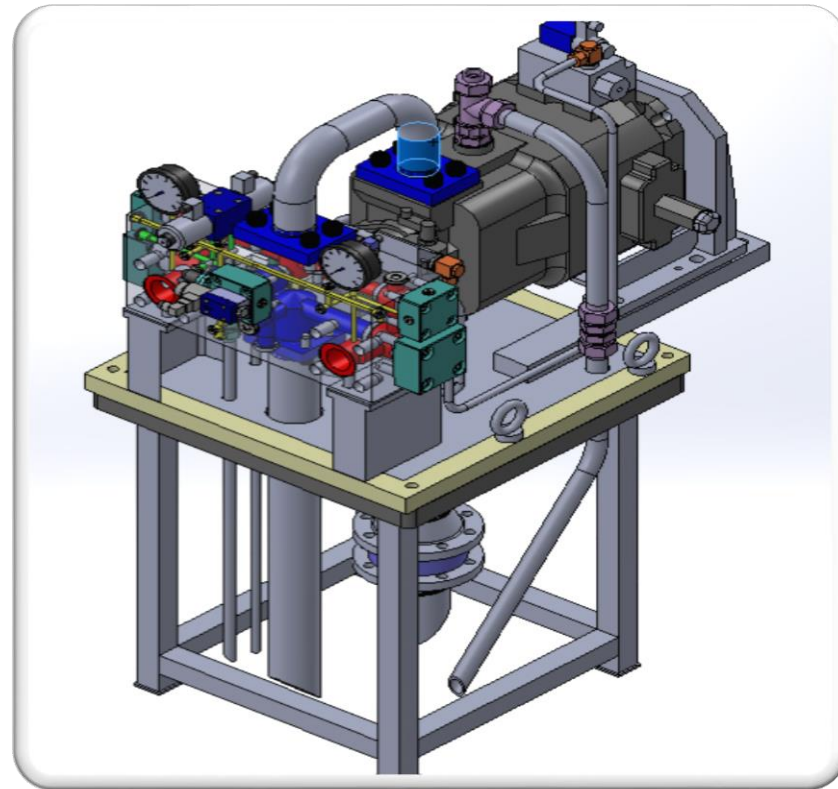


# D-PUMP CONVERSION UNIT



## D-PUMP CONVERSION UNIT

This is one of the effective way of converting old Oilgear D-Pumps with new series of rugged Oilgear High Performance Axial Piston Servo Control Pumps such as PVV & PVG Series Pumps & High performance Manifold Block which replicates existing D-Pump Discharge Ports.

- The advantage of this replacement package is that, it fits within existing D-Pump mounting without disturbing existing system.
- This package is economically attractive, since this will cost around half the cost of D-Pump.
- Available conversion packages are for D-35, D-60 ,D-100 and D-150 Series of D- Pumps.
- Project cost INR 4 Millions.