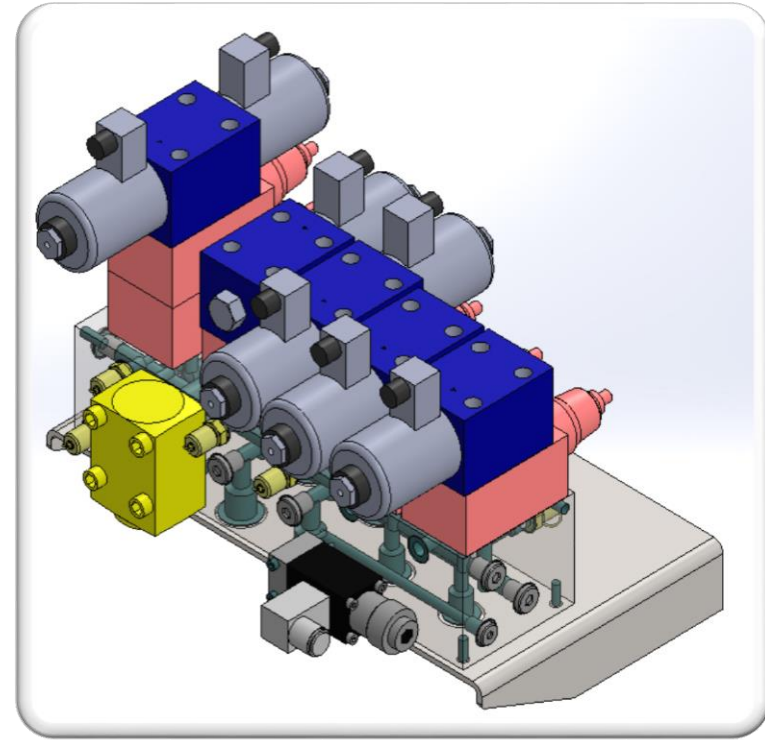
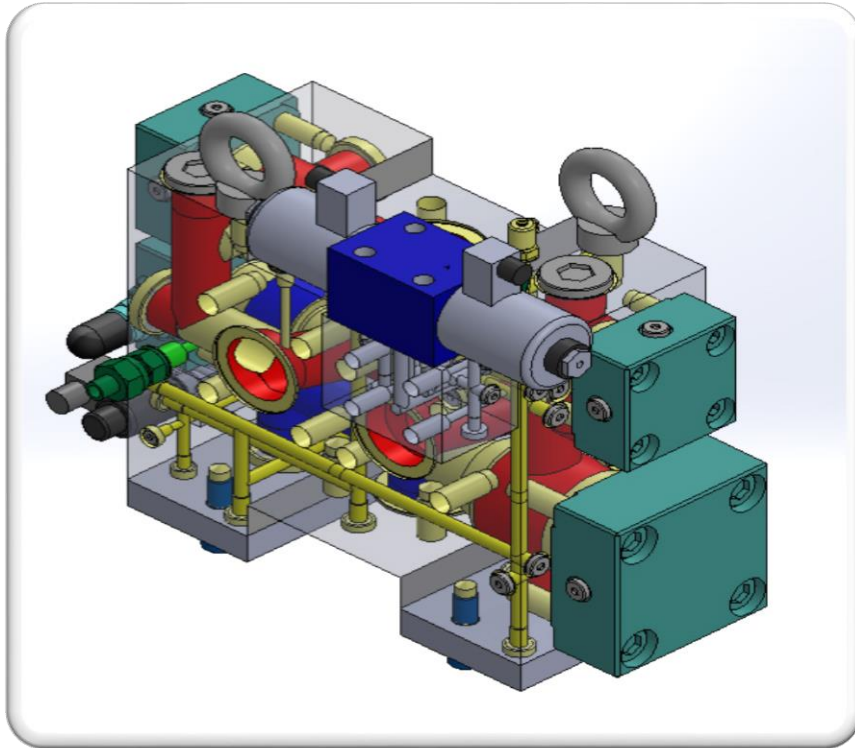


CUSTOM BUILT INTEGRATED HYDRAULIC MANIFOLD SYSTEMS



CUSTOM BUILT INTEGRATED HYDRAULIC MANIFOLD SYSTEMS

- Application-specific circuits enhance machine performance, reduce system cost, and increase safety.
- Self-contained units reduce envelope size and piping.
- Complete testing at Oilgear India reduces installation time required and eliminates start-up problems.
- High flow and Active Cartridge Valves improve safety and reduce system costs.
- Manifold-based systems provide a cleaner, leak-free solution that eliminates the need for hard or flexible piping, connectors and clamps.
- Project cost INR 2 Millions.